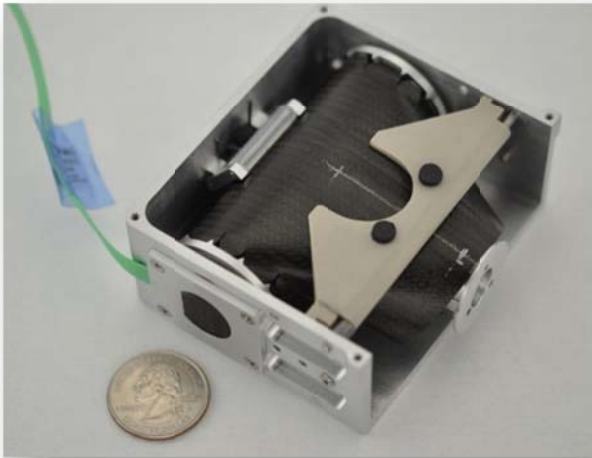


CSB-1 CubeSat Boom & Deployer



The CSB-1 is a motor-driven deployer targeted at CubeSat and SmallSat applications where small stowed-volume is essential. These booms can be used to deploy instruments (magnetometers, E-field sensors, Langmuir probes), or as actuators for deployables such as solar arrays, drag sails, and solar sails. Multiple boom and deployer options are available for a highly customizable solution to meet your mission's needs.

Performance Summary

Specification	Performance
Deployment Power	<0.5 W
Deployment Voltage	6-12 VDC
Boom Stiffness	2.9 to 21.5 N-m ²
Boom Diameters	12 to 25.4 mm
Deployer+Boom Mass	<180 g
Boom Length	<1m to 2m
First Mode Frequency	>1Hz (variable)

Key Features and Available Options

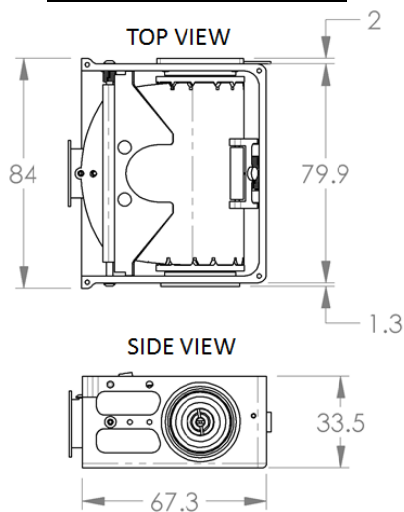
Key Features

- **Root-Lock™** - a latching mechanism that clamps the boom root when fully deployed
- Positional Feedback via an internal rotary encoder

Available Options

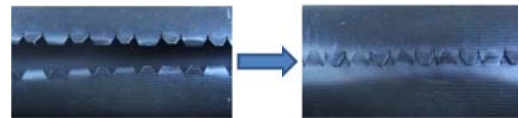
- Tip-plug for payload mounting
- Integrated or internal wiring
- Metallization (for antenna booms)

Dimensions(mm)



Boom Types Available

- **Slit-Lock™** (US Patent US8863369 B2)
Slit-Lock™ provides maximum torsional and bending stiffness via an interlocking seam along the length of the boom



- **Slit-Tube**
- **Boom Materials Available:**
 - Carbon Fiber Composite
 - Fiberglass
 - Hybrid glass/carbon